



# Security Framework for WebNFS

*Connectathon '99*

March 8, 1999

Lin Ling

Sun Microsystems Inc.

[lin.ling@eng.sun.com](mailto:lin.ling@eng.sun.com)

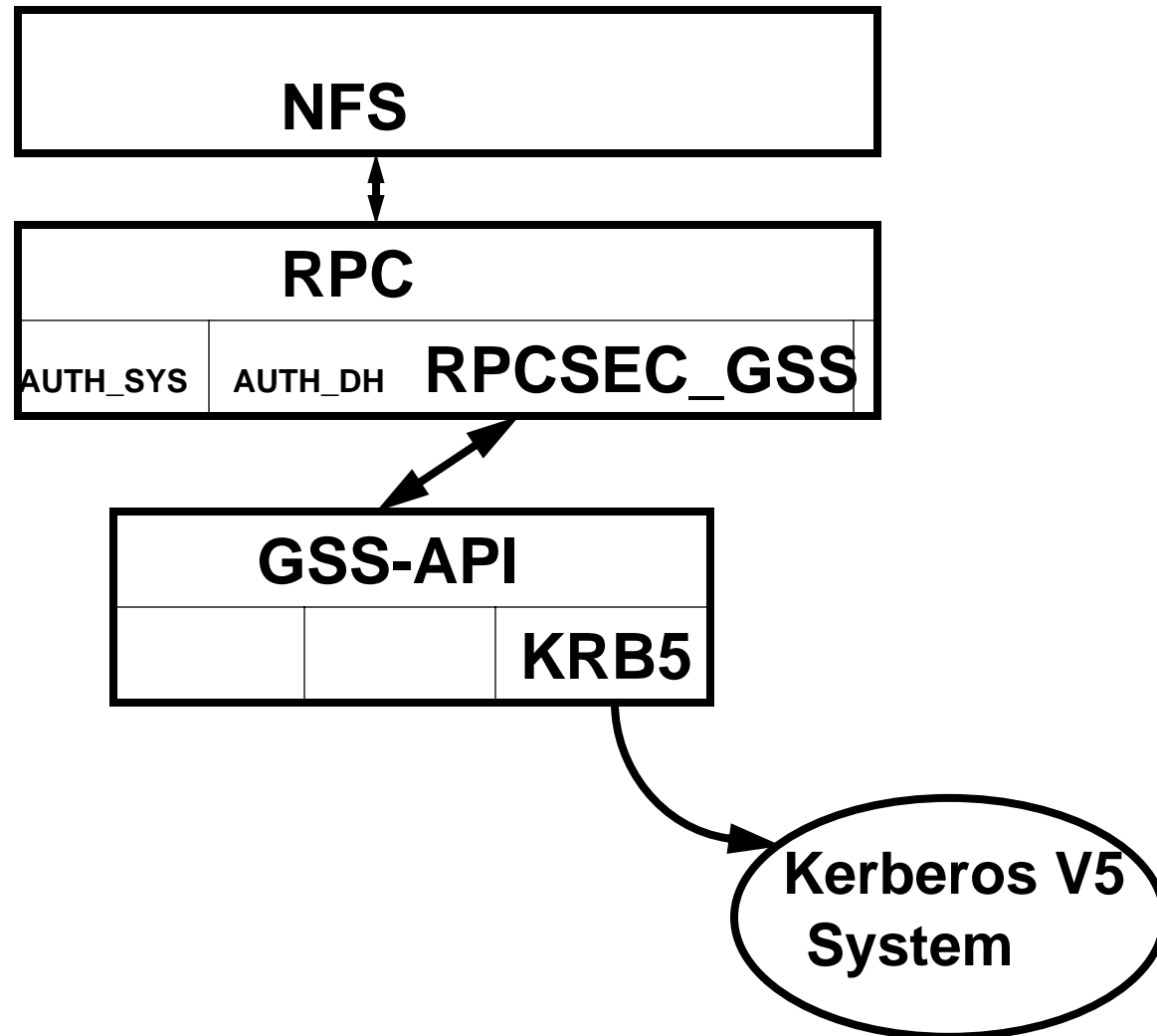
# Overview

- **Solaris NFS Security Framework**
- **WebNFS Security Framework**
- **Java WebNFS Client**
- **Example**
- **Summary**

# Solaris NFS Security Framework

- **Strong security services including authentication, integrity and privacy**
- **Security Mechanism Independence**
- **Use RPCSEC\_GSS (RFC 2203)**
- **Use GSS-API (RFC 2078)**

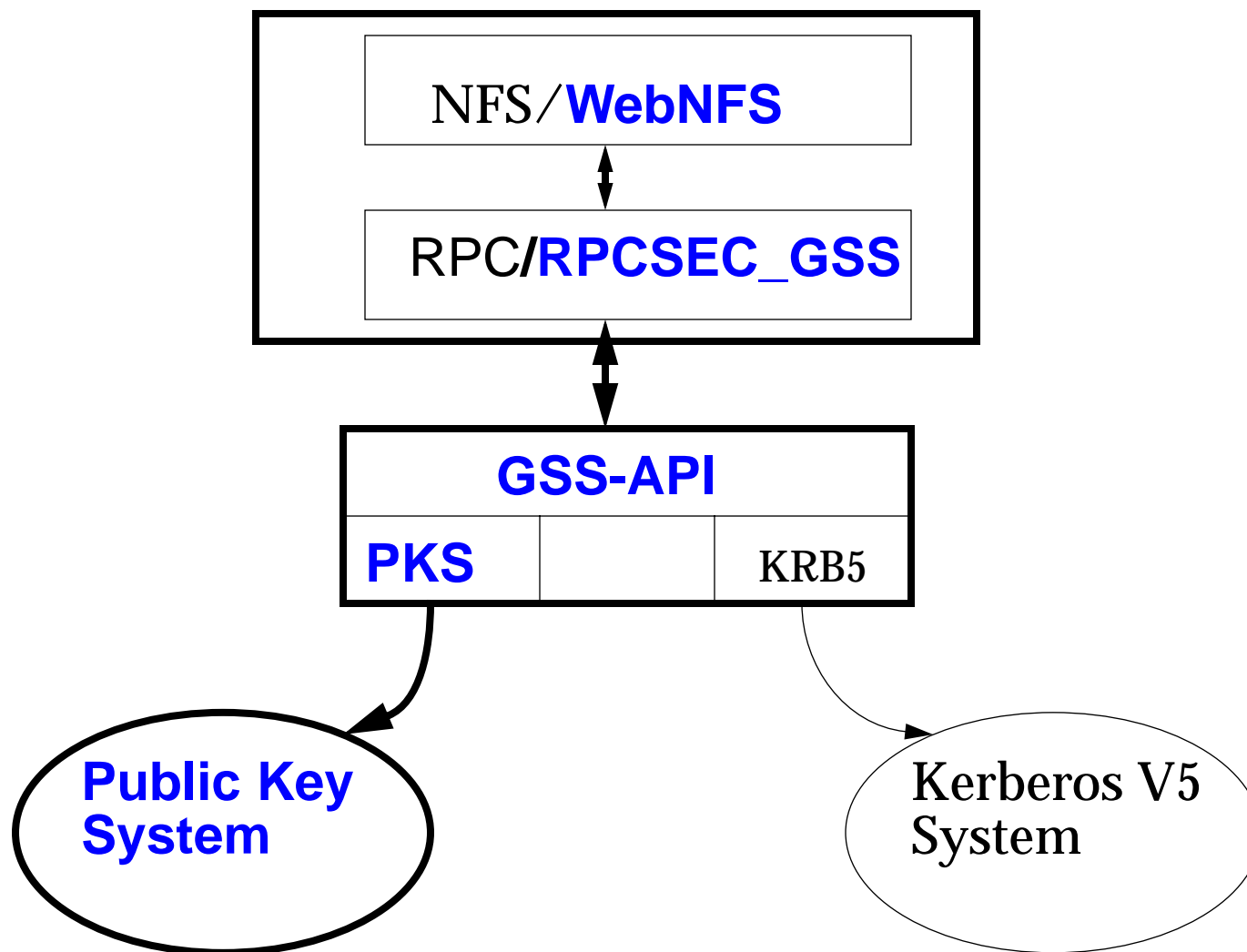
# Solaris NFS Security Overview



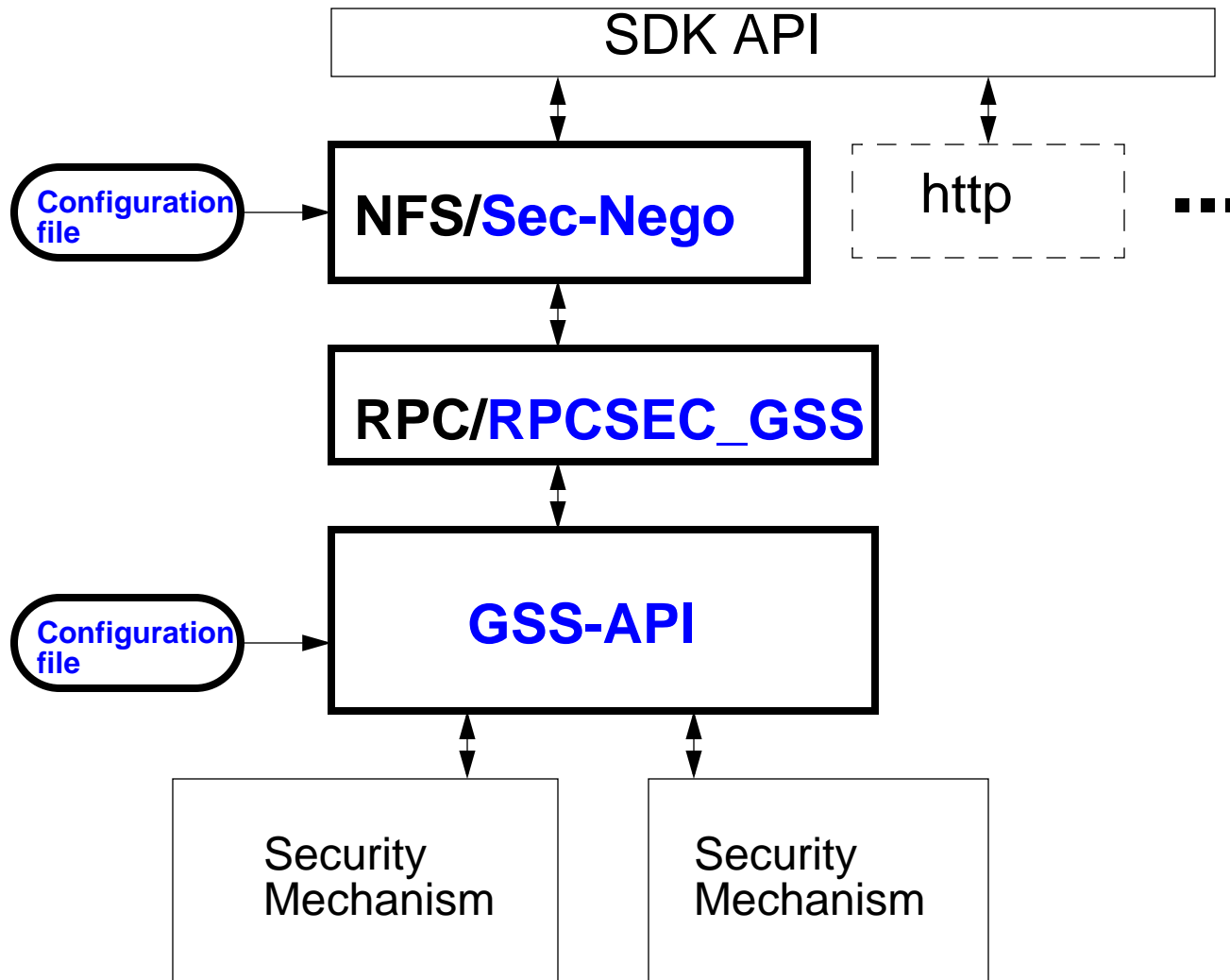
# WebNFS Security Framework

- **Authentication, Integrity, Privacy**
- **Security Mechanism Independence**
- **RPCSEC\_GSS**
- **GSS-API**
- **WebNFS Security Negotiation Protocol**

# WebNFS Security Overview



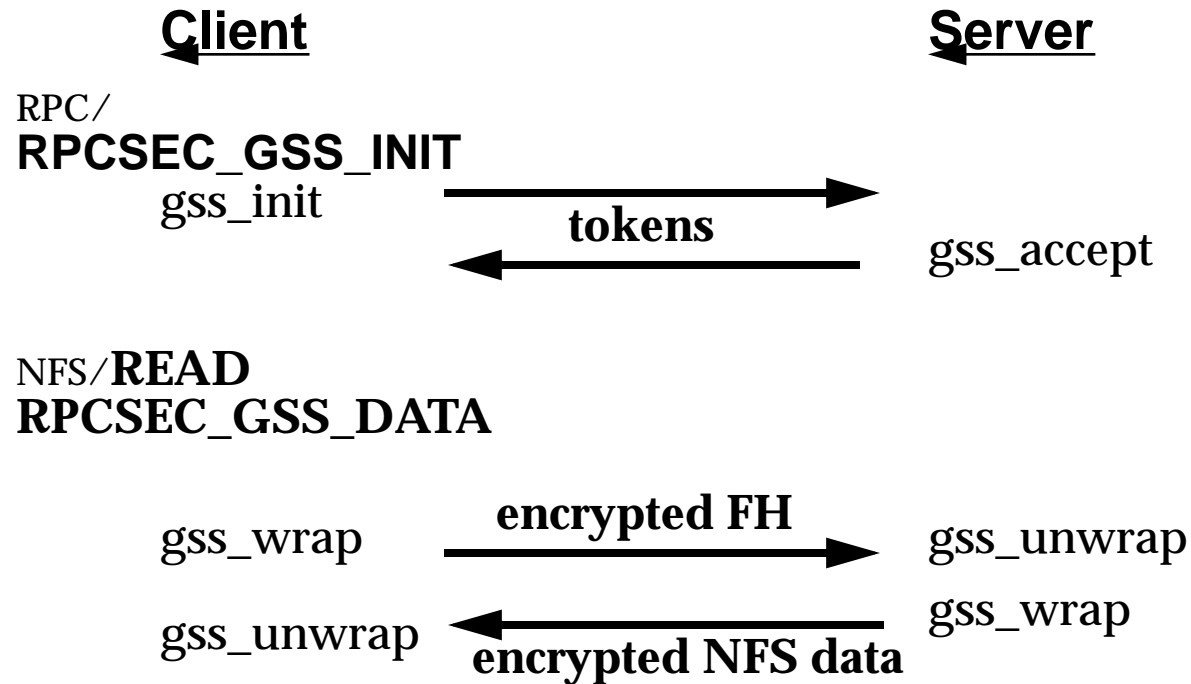
# Java WebNFS Client







## Example (continue)



# Summary

**Client**

**Server**

