



**Mobile IPv6
Internet
Testing**

Connectathon 2003

Interoperability Testing event

Samita Chakrabarti

Samita.chakrabarti@Sun.com

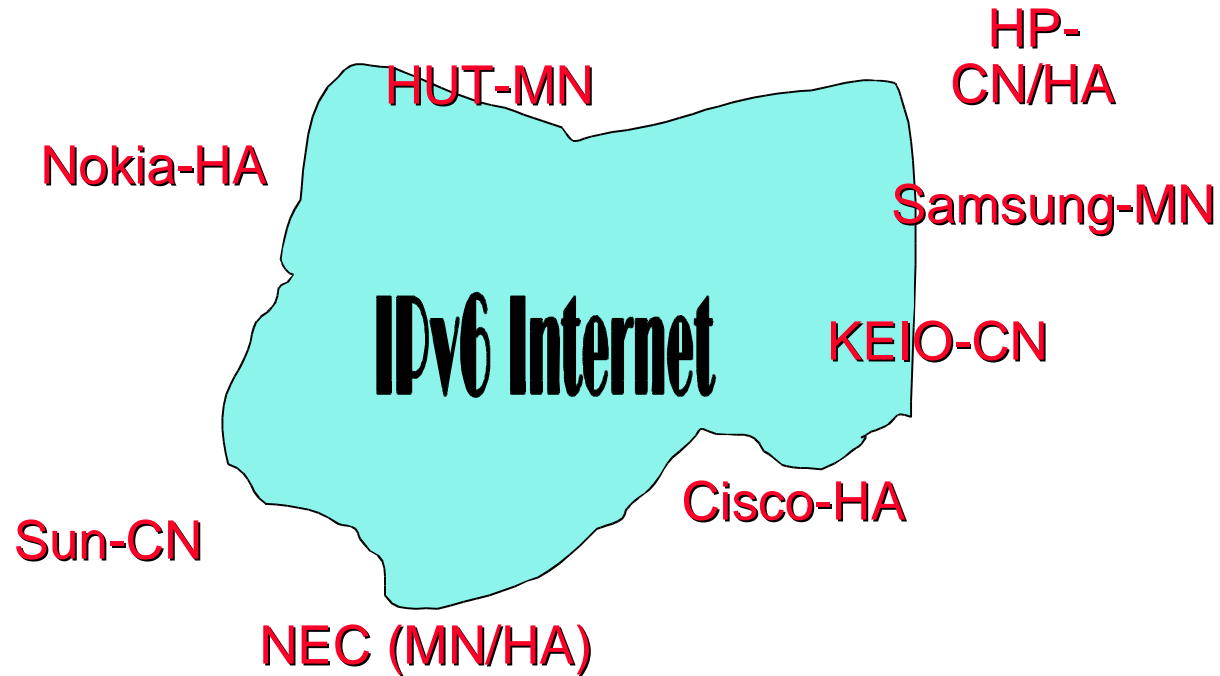
IPv6 Internet Testing Idea

How about a MIPv6 Interop Test bed on IPv6 Internet?

Advantage:

- Continuous testing among different implementations
- Faster progress towards mature MIPv6 base protocol

IPv6 Internet Test Example



IPv6 Internet Testing Idea

How ?

- Each company gets its own IPv6 prefix on the internet
- A MIPv6 representative is responsible for that implementor's machine and administration of prefixes
- A common web-page administrator who updates information about each company's MIPv6 type of implementation and its addresses etc.
- MN implementations need to get home addresses from different HAs

IPv6 Internet Testing Idea

A common web-page for MIPv6 internet testing

Example:

3ff4::abc Implement1-MN

3ff4::def Implemnet1-HA

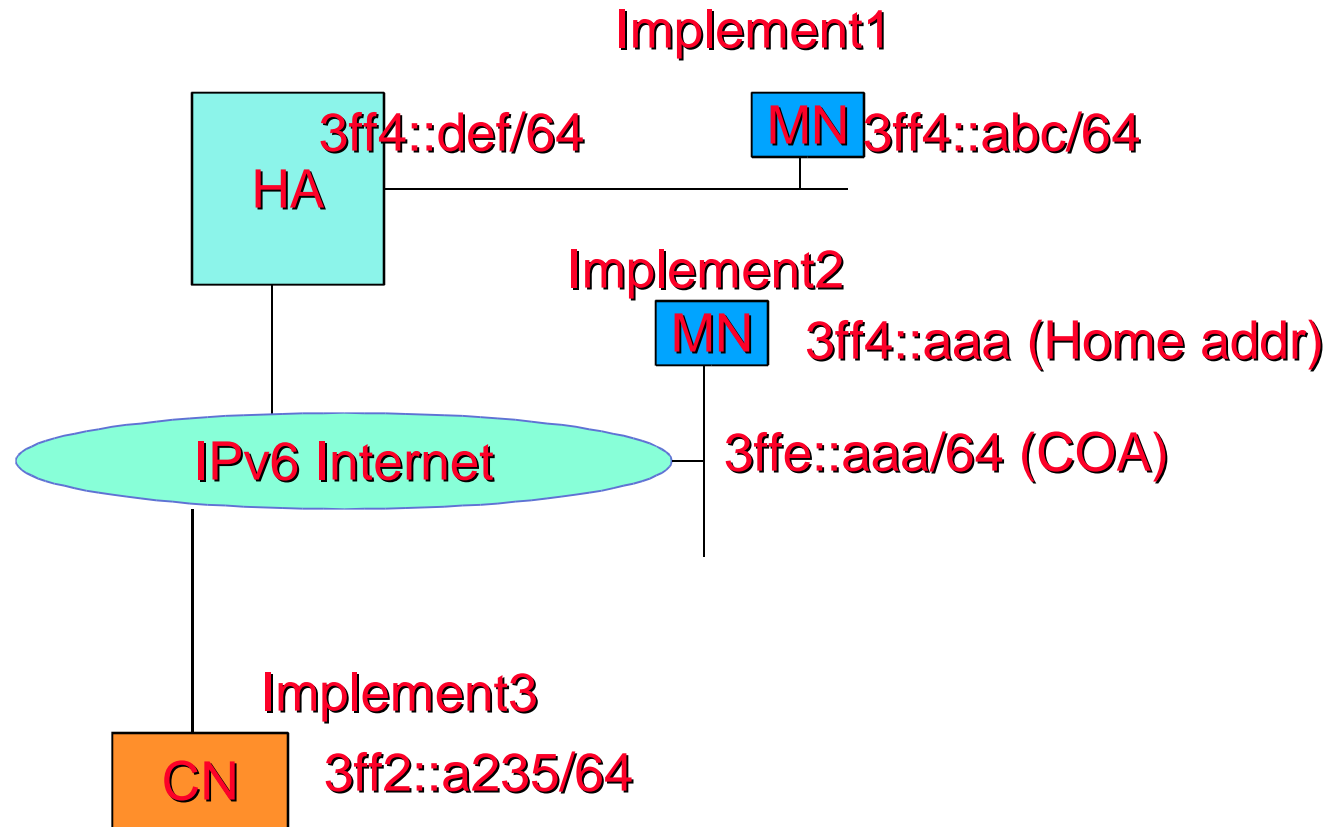
3ff4::aaa Implement2-MN

3ff5::bab Implement2-CN

3ff2::a235 Implement3-CN

3ff4::a456 Implement3-MN

IPv6 Internet Test Idea (example)



Implement2 gets a home address from implement1

IPv6 Internet Testing Idea

How to test ?

- Look up the MIPv6 Internet Test Webpage
- Find a HA addr and find address for your implementation MN (pre-allocated by the HA representative)
- Start a session with a CN in the IPv6 internet while MN is at home, then move the MN to the IPv6 internet and start communicating with the CN (with or without route optimization)
- Select a HA in the IPv6 Internet, then the MN can simply pretend it's visiting on a IPv6 internet subnets and it sends BU to HA and then to CN for Route optimization

IPv6 Internet Testing Idea

What Apps for testing?

- ping
- telnet
- ftp
- Any other suggestion?

Time Frame and resource ?

- May be 6-12 months from now ...
- A volunteer needed for Common MIPv6 webpage update
- Participating implementations need to dedicate machines for testing

IPv6 Internet Testing Idea

Comments ?